

Accon Marine, L.L.C.

SUPERIOR QUALITY FLUSH-MOUNTED MARINE HARDWARE & ACCESSORIES



PRODUCT CATALOG
Version 4.0

ABOUT ACCON MARINE L.L.C.



Bernie (left) and John (right) accepting the 1999 Publishers' Award for Product Excellence from **Powerboat Magazine** Publisher Jerry Nordskog (center).

The Accon name has been associated with superior quality precision metalwork for more than 30 years. Accon began as a manufacturer of transistor bases and other precision metal stampings. In 1988,

Accon entered the marine industry with the introduction of our 102 series lift rings and the POP-UP® CLEAT, and both the company and the marine industry were changed forever. John and his son, Bernd, used their vast tool and diemaking knowledge and experience to develop an increasing variety of flush mounted, superior quality marine hardware, and the marine industry responded to the fresh ideas and product innovation that became Accon's trademark in the industry. In 1995, Accon Marine became an independent company under the leadership of Bernd "Bernie" Czipri, President. John Czipri remains with the company, designing and developing new products.

As a family owned and operated company, Accon Marine strives to provide the marine industry with the highest quality, most innovative hardware and accessories available anywhere. Our goal is not to be the biggest supplier of marine hardware, but to be the best supplier of the best marine hardware. As boaters, we know that the quality and function of a boat's hardware affects the owner's satisfaction with the boat – so our products have to meet our high standards before they are introduced to the industry. If a product doesn't meet the standard of quality and function that we demand on our own boats, we won't sell it. It's that simple.

Our customers' input into this process is extremely important to us. Your suggestions for improving an existing product, or informing us of your needs for new, innovative products are always welcome. Many of the products in this catalog were developed to meet our customers' needs for flush mounted marine hardware. If you don't find what you need in this catalog, please call us and let us know what you're looking for – chances are we can adapt an existing product to meet your needs, or possibly design a new product to fill a void in the existing market.

ACCON MARINE, L.L.C.

IS A PROUD MEMBER OF THE FOLLOWING ORGANIZATIONS:



ALLGEMEINE INFORMATIONEN ZU ACCON	116
KLAMPEN	
Klappbare Ed elstahlklampen	117
Pop-Up Klampe	118
Pop-Up Klampe optionales Zubehör	119
Wide-Line Klampen	120
Slim-Line Klampen	121
12" pull-up Klampen	122
15" pull-up Klampen	123
460 style pull-up Klampen	124
209 series mooring Klampen	125
POP-UP KLAMPE OPTIONALES ZUBEHÖR	126
Lifting Hardware	
209 series mooring Klampen	125, 126, 131
Lifting eyes	127-129
Pivot attachment for lifting hardware	130
Pop-Up LEUCHTEN	132-134
LIPPKLAMPEN	135-136
BIMINI BESCHLÄGE	137

SALES REP INFORMATION

Die Firma Pfeiffer Marine ist seit mehr als 20 Jahren der Importeur von hochwertigen Accon Produkten aus den USA.

Schwerpunktmäßig haben wir uns auf Produkte wie Klampen aus Edelstahl in unterschiedlichen Ausführungen spezialisiert, die wir auch meist für Sie am Lager vorrätig haben.

Andere Produkte können wir für Sie besorgen, was jedoch einige Wochen dauern kann.

Um Ihnen die Auswahltabellen besser erklären zu können, finden Sie nachfolgend eine Gegenüberstellung der Zoll / Millimeter Größen.

Zoll ACCON	Größe ca. in mm	Zoll ACCON	Größe ca. in mm
1/64"	0,4 mm	2 1/2"	63 mm
1/32"	0,8 mm	2 3/4"	69 mm
1/16"	1,6 mm	3"	76 mm
1/8"	3,2 mm	3 1/4"	82 mm
1/4"	6,4 mm	3 1/2"	88 mm
3/8"	9,5 mm	3 3/4"	95 mm
1/2"	12 mm	4"	101 mm
5/8"	15 mm	4 1/4"	107 mm
3/4"	19 mm	4 1/2"	114 mm
7/8"	22 mm	4 3/4"	120 mm
1"	25 mm	5"	127 mm
1 1/4"	31 mm	6"	152 mm
1 1/2"	38 mm	7"	177 mm
1 3/4"	45 mm	8"	203 mm
2"	51 mm	9"	228 mm
2 1/4"	57 mm	10"	250 mm

Bei technischen Rückfragen dürfen Sie auch gerne sich bei uns zur Beratung melden!

SURFACE MOUNT FOLDING CLEATS

Modell sichtbare Verschraubung



260 333

Modell sichtbare Verschraubung



260 332
GESCHLOSSEN



260 332S
HOCHGEKLAPPT

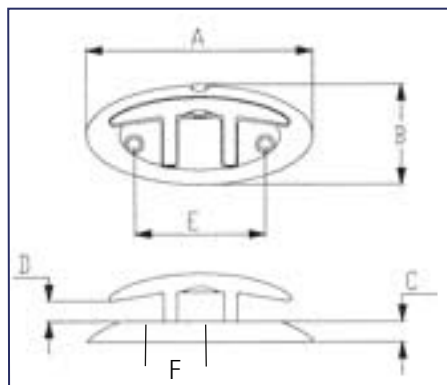
Modell mit Gewindestangen



260 334
GESCHLOSSEN



260 334
HOCHGEKLAPPT



BEST.-NR. # DESCRIPTION

260 335 35	3 1/2" / 114 mm	sichtbar geschraubt.
260 335 35S	3 1/2" / 114 mm	mit Gewindestangen.
260 333 4	4 1/2" / 159 mm	sichtbar geschraubt.
260 334 4 S	4 1/2" / 159 mm	mit Gewindestangen.
260 332 6	6" / 190 mm	sichtbar geschraubt.
260 332 6S	6" / 190 mm	mit Gewindestangen.
260 332 8	8" / 250 mm	sichtbar geschraubt.
260 332 8S	8" / 250 mm	mit Gewindestangen.

FEATURES

- ◆ Mounts on surface of boat. No cut-outs or hole saws required.
- ◆ These cleats lock down when not needed, and spring up when release button is pushed in.
- ◆ No drain tubes or drain receptacles required. They do not leak into the boat.
- ◆ The most simple installation of any retractable cleat in the industry.
- ◆ Constructed of marine grade 316 cast S.S. and brightly polished.
- ◆ Two styles to choose from: The stud mount (with hidden fasteners) or through bolted (with visible screw holes). Stud length is 1 1/2".

INSTALLATION

- ◆ Drill two holes with standard drill bits for the mounting screws or studs.

PRODUCT SPECIFICATIONS / Ca. Maßangaben

BEST.-NR. #	26033335	26033335S	2603334	2603344S	2603326	2603326S	2603328	260332 8S
Größe	3 1/2"	3 1/2"	4 1/2"	4 1/2"	6"	6"	8"	8"
Gewicht	0.5 lb.	0.55 lbs.	1.04 lb.	1.18 lb.	1.68 lb.	1.88 lb.	4.18 lb.	4.52 lb.
"A" Länge mm	114	114	159	159	190	190	250	250
"B" Breite mm	50	50	62	62	83	83	110	110
"C" Höhe mm	10	10	13	13	17	17	23	23
"D" Abstand mm	12	12	14	14	19	19	24	24
"E" Lochabstand mm	58	58	86	86	110	110	145	145
"F" Abstand mm	21	21	29	29	38	38	51	51
Stehbolzen Ø	N/A	1/4"	N/A	5/16"	N/A	3/8"	N/A	1/2"
Max mm	10	10	12	12	15	15	19	19

SCREWS REQUIRED

Quantity	2	N/A	2	N/A	2	N/A	2	N/A
Diameter	1/4"	N/A	1/4"	N/A	5/16"	N/A	1/2"	N/A
Studs	N/A	2"	N/A	2"	N/A	2"	N/A	3.5"

Achtung: Version "S" mit Gewindestangen, während die Standard-Klappen mit sichtbaren Schrauben von oben geschraubt werden.

POP-UP® CLEAT

— Flush Mounted —
POP-UP®
C·L·E·A·T



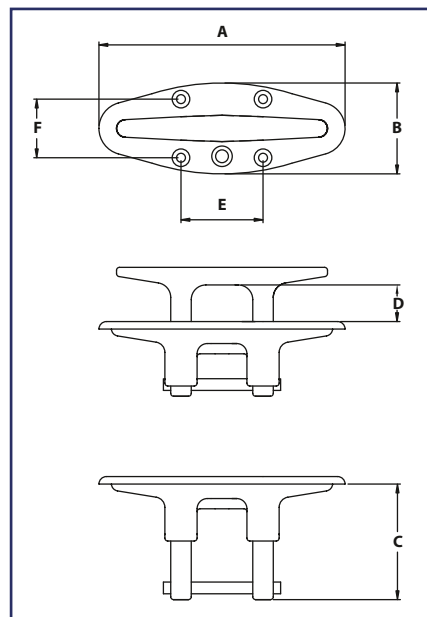
FEATURES

- ◆ Cleat pops up at the touch of a button – simply push it back down when it is no longer needed and it locks in the flush position.
- ◆ In the up position, Pop-Up® Cleats function exactly like conventional cleats.
- ◆ Available in four sizes, 4 1/2", 6", 8" & 10".
- ◆ Made of marine grade 316 stainless steel.

Alle Modell von oben mit 4 sichtbaren Schrauben verschraubt.

INSTALLATION

- ◆ Each cleat is shipped with a backing plate which also serves as the cut-out template.
- ◆ Use the supplied backing plate as a template to scribe the outline of the cut-out.
- ◆ After cutting out the shape, insert Pop-Up® Cleat into opening and transfer mounting holes from cleat into deck.
- ◆ Attach the backing plate and waterproofing cup (if needed) below the deck.
- ◆ Attach with four screws (not included) and four nuts (not included). Please see specification chart for screw sizes required.



PRODUCT SPECIFICATIONS / Ca. Maßangaben

BEST.-NR.	260 110 21	260 150 21	260 200 21	260 250 21
Größe	4 1/2"	6"	8"	10"
Gewicht	1 lb.	1.5 lb.	2.5 lb.	4.2 lb.
"A" Länge mm	132	170	230	275
"B" Breite mm	48	60	70	85
"C" Höhe mm	76	76	95	110
"D" Abstand	22	25	29	35
"E" Lochabstand mm	44	57	70	95
"F" Lochabstand mm	32	38	45	60
Max Line Size Ø mm	12	15	19	25

SCREWS REQUIRED

Quantity	4	4	4	4
Diameter	3/16"	1/4"	1/4"	5/16"

POP-UP® CLEAT OPTIONAL ITEMS



Erhältliche Gegenplatten

TOP-MOUNT BACKING PLATES

BEST.-NR. #	DESCRIPTION
260 202 4TMP	4 1/2" Top mount backing plate
260 202 6TMP	6" Top mount backing plate
260 202 8TMP	8" Top mount backing plate
260 202 10TMP	10" Top mount backing plate

FEATURES

- ◆ Allows for easy installation from above the deck.
- ◆ No need for access below the deck.

Wassersammler mit Schlauchanschluss

OPTIONAL WATERPROOFING CUS

BEST.-NR. #	DESCRIPTION
260 110 12	4 1/2" Waterproofing Cup
260 150 12	6" Waterproofing Cup
260 200 12	8" Waterproofing Cup
260 250 12	10" Waterproofing Cup

FEATURES

- ◆ Prevents unwanted water runoff below deck.

INSTALLATION

- ◆ Place the template (backing plate) in the desired location. Make sure that there is adequate clearance for the Pop-Up® mechanism below the deck.
- ◆ Trace the cleat cut-out area and spot the small threaded hole. Do not spot the four mounting holes yet.
- ◆ Cut out the cleat installation area.
- ◆ Drill a 3/16" diameter hole for the #6 screw.
- ◆ Place cleat in cut-out and spot the four mounting holes.
- ◆ Remove the cleat and drill the four mounting holes.
- ◆ Place the backing plate through the cut-out and install the #6 screw through the deck into the backing plate. Be careful not to drop the backing plate down into the hull. Do not over tighten the #6 screw.
- ◆ Replace the cleat into the cut-out and install the four mounting screws through the cleat and deck into the backing plate.

WIDE-LINE CLEATS



FEATURES

- ◆ Sleek, low profile appearance.
- ◆ Large flange helps cover rough cut-out area.
- ◆ Made of marine grade 316 stainless steel.
- ◆ Mounts from the bottom via welded stainless steel threaded studs.

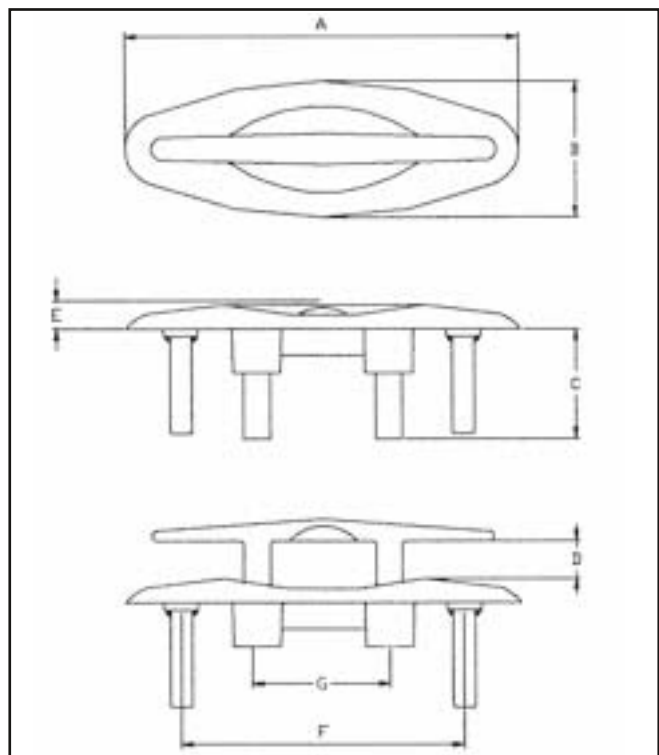
INSTALLATION

- ◆ Each cleat is shipped with a backing plate which also serves as the cut-out template.
- ◆ Drill four holes and saw-cut clearance between the two center holes.

OPTIONAL WATERPROOFING CUP

- ◆ Prevents unwanted runoff below deck
- ◆ Specify product number when ordering:

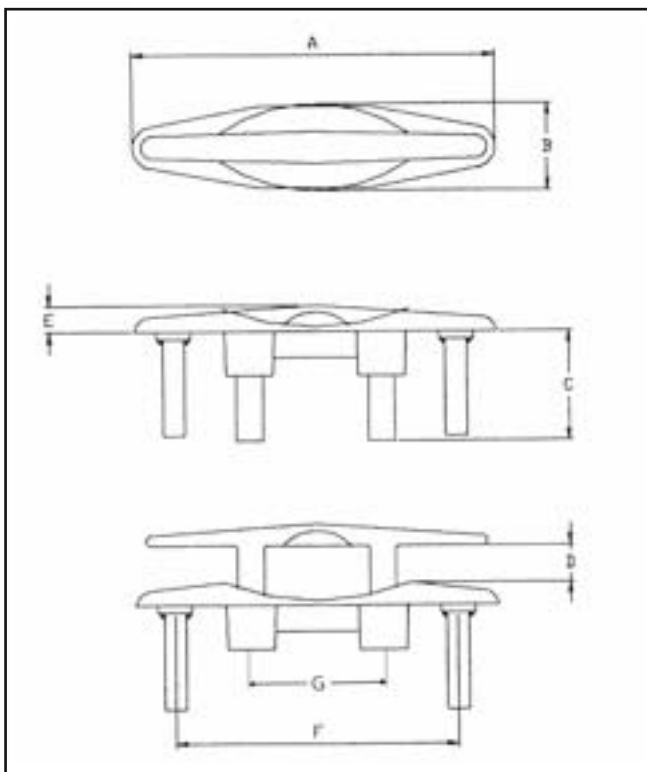
260 305 4C	(4 1/2")
260 305 6C	(6")
260 305 8C	(8")
260 305 10C	(10")



PRODUCT SPECIFICATIONS / Ca. Maßangaben

BEST.-NR. #	260 305 4	260 305 6	260 305 8	260 305 10
Größe	4	6 1/2"	8"	10"
Gewicht	0.82 lbs.	1.34 lbs.	2.70 lbs.	5.04 lbs.
"A" Länge mm	135	175	230	280
"B" Breite mm	50	60	72	90
"C" Höhe mm	65	76	94	121
"D" Abstand mm	13	18	26	26
"E" Höhe mm	10	13	17	21
"F" Lochabstand mm	95	125	155	190
"G" Abstand mm	45	59	76	98
Thread Size	5/16-18	3/8-16	3/8-16	1/2-13
Stehbolzen mm	41	48	67	76
Max Line Size Ø mm	9	14	19	25

SLIM-LINE™ CLEATS



FEATURES

- ◆ Sleek, narrow design allows for installation where other flush-mounted cleats won't fit.
- ◆ Made of marine grade 316 stainless steel.
- ◆ Easy to pull up – the recess in the base allows the cleat to be grasped quickly and easily.

INSTALLATION

- ◆ Each cleat is shipped with a backing plate which also serves as the cut-out template.
- ◆ Drill four holes and saw-cut clearance between the two center holes.

OPTIONAL WATERPROOFING CUP

- ◆ Prevents unwanted runoff below deck
- ◆ Specify product number when ordering:

260 304 4C (4 1/2")

260 304 6C (6")

260 304 8C (8")

260 304 10C (10")

PRODUCT SPECIFICATIONS / Ca. Maßangaben

BEST.-NR. #	260 304 4	260 304 6	260 304 8	260 304 10
Größe	4	6 1/2"	8"	10"
Gewicht	0.82 lbs.	1.34 lbs.	2.70 lbs.	5.04 lbs.
"A" Länge mm	127	160	230	280
"B" Breite mm	33	38	50	71
"C" Höhe mm	46	54	69	84
"D" Abstand mm	14	20	25	25
"E" Height mm	13	14	18	22
"F" Lochabstand mm	95	125	155	190
"G" Distance mm	45	59	76	95
Thread Size	5/16-18	3/8-16	3/8-16	1/2-13
Stehbolzen mm	41	47	67	72
Max Line Size Ø mm	12	15	19	25

12" PULL-UP CLEAT



260 205 12 AUF



260 205 12 ZU

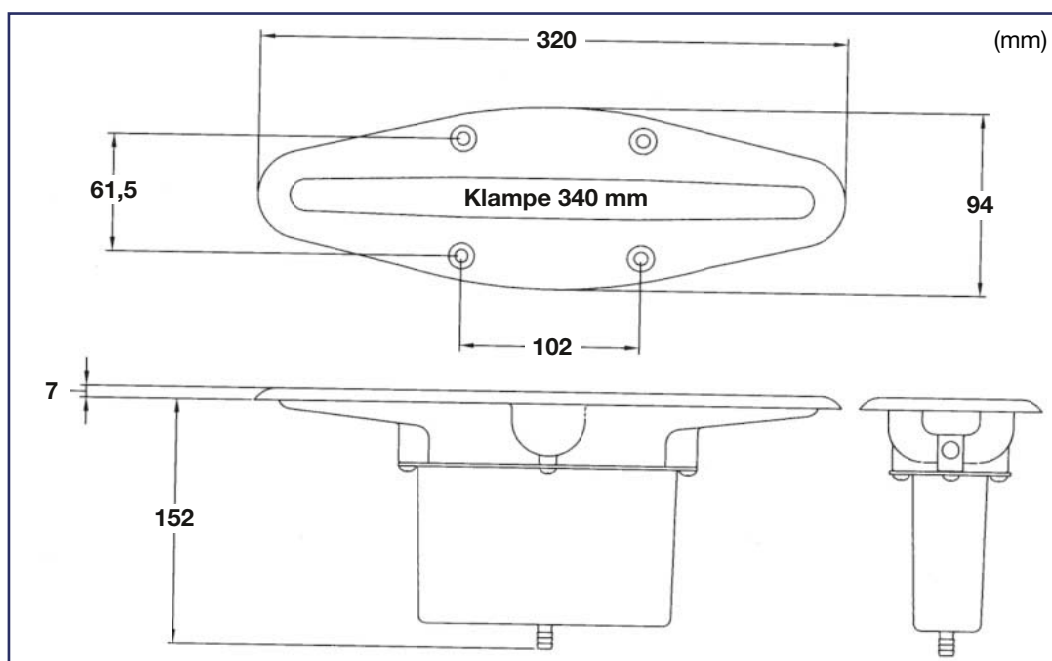
BEST.-NR. #	DESCRIPTION
260 205 12	12" Pull-Up Cleat 340 mm Klampe

FEATURES

- ◆ Marine grade 316 stainless steel.
- ◆ Each cleat is supplied with a waterproofing cup.

INSTALLATION

- ◆ Each cleat is shipped with a backing plate which also serves as the cut-out template.
- ◆ Fasten with four 5/16" diameter screws (not included).



15" PULL-UP CLEAT



260 115 15S

260 115 15S

BEST.-NR. # DESCRIPTION

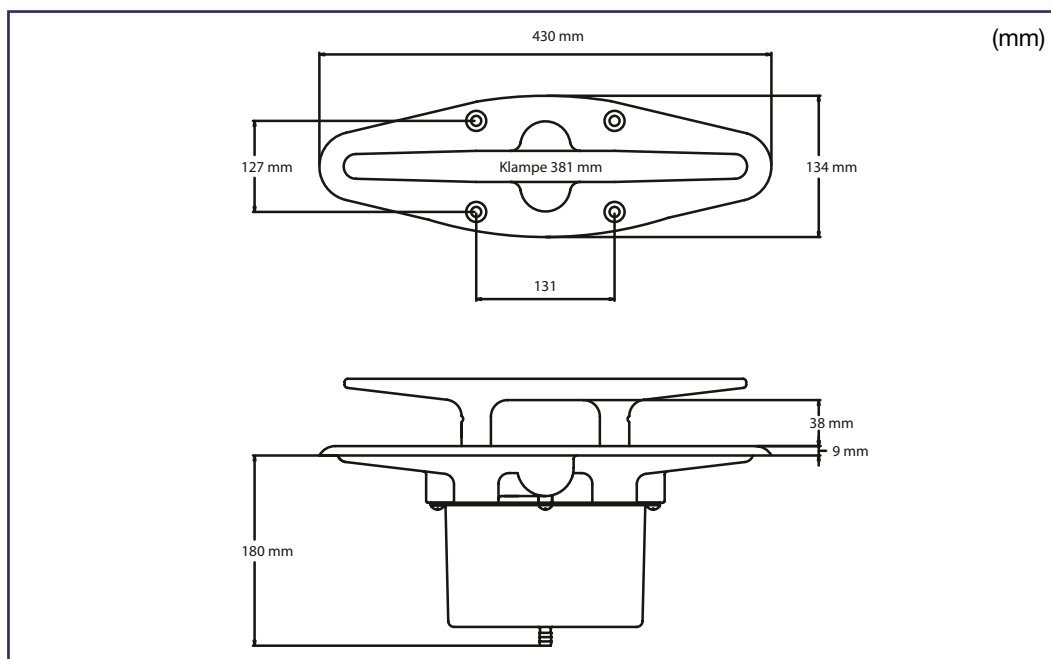
260 115 15	15" Pull-Up Cleat – Through-Bolted 380 mm Klampe
260 115 15S	15" Pull-Up Cleat – Stud Mount

FEATURES

- ◆ The largest flush-mounted cleat available!
- ◆ Marine grade 316 stainless steel.
- ◆ Available in both stud mount and through-bolt versions.
- ◆ Stud length is 4" on 260 115 15S.
- ◆ Each cleat is supplied with a waterproofing cup.

INSTALLATION

- ◆ Each cleat is shipped with a backing plate which also serves as the cut-out template.
- ◆ Fasten with four 3/8" diameter screws (not included).



460 STYLE PULL-UP CLEATS



PULL-UP CLEAT SERIES 460

FEATURES

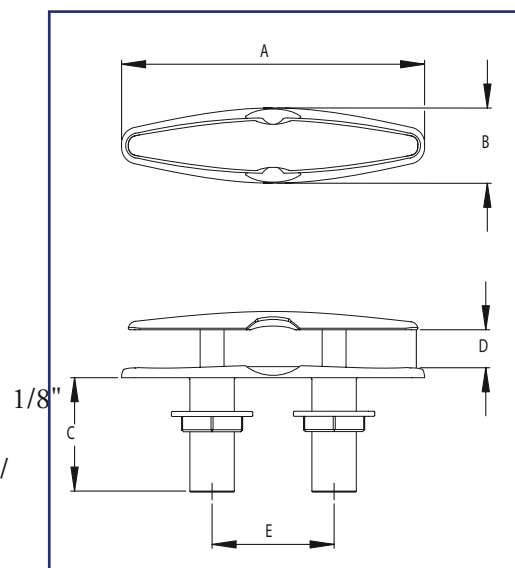
- ◆ No cut-out required
- ◆ Mounded base allows water to run off the cleat
- ◆ Made of marine grade 316 stainless steel

INSTALLATION

- ◆ Drill two holes with a hole saw, as specified for each cleat size in the chart below.
- ◆ Install cleat through holes in deck.
- ◆ Install external tooth lock washer (smooth side up) against the deck. The sharp edges should grab the nut flange and dig in.
- ◆ A thread lock product such as Loctite™ or similar product will insure that the nuts will not loosen.

PRODUCT SPECIFICATIONS / Ca. Maßangaben

BEST.-NR. #	260 460 4	260 460 6	260 460 8
Größe	4 1/2"	6"	8"
Gewicht	0.80 lbs.	1.2 lbs.	2.56 lbs.
"A" Länge mm	114	152	203
"B" Breite mm	29	38	50
"C" Tiefe mm	50	58	78
"D" Abstand	19	25	32
"E" Leg Distance mm	45	60	81
Hole Size	3/4"	7/8"	1
Max Line Size Ø mm	12	19	25
Thread Size	3/4-16	7/8-14	1 2-14 1/2



209 SERIES MOORING CLEATS

FEATURES

- ◆ Sealed base eliminates the need for a waterproofing cup, water can be drained through a fitting at the bottom of the unit.
- ◆ Can be converted to a lifting cleat by inserting a connecting rod in the base of the unit and attaching the rod to the bow eye.
- ◆ Made of marine grade 316 stainless steel.
- ◆ Available in four sizes: 4 1/2", 6", 8" & 10".
- ◆ 10" version available in both through bolt (visible screw holes) and stud-mount (no visible screw holes).

INSTALLATION

- ◆ Each cleat is shipped with a backing plate which also serves as the cut-out template.
- ◆ Screws are not included (see chart for quantity and size).

260 209 6
AUF



PRODUCT SPECIFICATIONS / Ca. Maßangaben

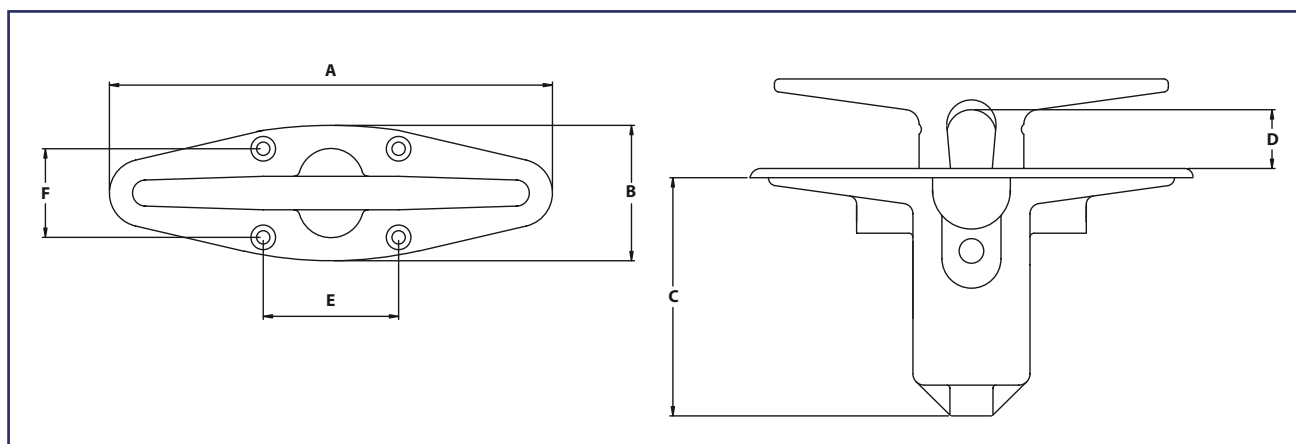
BEST.-NR. #	260 209 4	260 209 6	260 209 8	260 209 10	260 209 10S
Größe	4 1/2"	6"	8"	10"	10"
Gewicht	1.0 lbs.	1.2 lbs.	2.2 lbs.	6.1 lbs.	6.3 lbs.
"A" Länge mm	133	177	228	280	280
"B" Breite mm	48	60	70	89	89
"C" Tiefe mm	70	89	120	165	165
"D" Abstand mm	19	25	35	38	38
"E" Lochabstand mm	45	57	70	76	76
"F" Lochabstand mm	32	38	44	57	57

260 209 6
ZU



SCREWS REQUIRED

Quantity	4	4	4	4	0
Diameter	3/16"	1/4"	1/4"	5/16"	N/A
Connecting Rod	7/16"	5/8"	5/8"	5/8"	5/8"



TOP MOUNT PLATE & LIFTING CLEATS

TOP-MOUNT BACKING PLATES FOR 209 SERIES MOORING CLEAT



NOT INTENDED FOR USE
WHEN LIFTING

BEST.-NR. # DESCRIPTION

260 209 4TMP	4 1/2" Top mount backing plate
260 209 6TMP	6" Top mount backing plate
260 209 8TMP	8" Top mount backing plate
260 209 10TMP	10" Top mount backing plate

FEATURES

- ◆ Allows for easy installation from above the deck.
- ◆ No need for access below the deck.

INSTALLATION

- ◆ Place the template (backing plate) in the desired location. Make sure that there is adequate clearance for the Pop-Up® or Pull-Up mechanism below the deck.
- ◆ Trace the cleat cut-out area and spot the small threaded hole. Do not spot the four mounting holes yet.
- ◆ Cut out the cleat installation area.
- ◆ Drill a 3/16" diameter hole for the #6 screw.
- ◆ Place cleat in cut-out and spot the four mounting holes.
- ◆ Remove the cleat and drill the four mounting holes.
- ◆ Place the backing plate through the cut-out and install the #6 screw through the deck into the backing plate. Be careful not to drop the backing plate down into the hull. Do not over tighten the #6 screw.
- ◆ Replace the cleat into the cut-out and install the four mounting screws through the cleat and deck into the backing plate.

209 SERIES LIFTING CLEATS

BEST.-NR. # DESCRIPTION

260 209 6CA	6" Lifting Cleat with hardware
260 209 8CA	8" Lifting Cleat with hardware
260 209 10CA	10" Lifting Cleat with hardware
260 209 10SCA	10" Lifting Cleat (stud mount) with hardware

FEATURES

- ◆ Cleat is made of marine grade 316 stainless steel; lifting hardware is 304 stainless steel.
- ◆ Available in sizes: 6", 8" & 10".
- ◆ 10" version available in both through bolted (with visible screw holes) or stud mounted (with no visible screw holes).
- ◆ Test results available upon request.
- ◆ Comes with cleat, rod, sling, cross bar and bow eye.
- ◆ Lifting hardware may be purchased separately.



PLEASE SPECIFY ROD LENGTH WHEN ORDERING

Standard rod length is 12" - there is an additional charge for a longer rod length.

INDEPENDENT LAB TEST RESULTS

The maximum working load is 4,000 pounds in the direction of the axis of the threaded rod shank only. Test results available upon request.

ROUND LIFTING EYE

BEST.-NR. #	DESCRIPTION
260 203EA	Complete lift eye assembly
260 203LE	Lift Eye with base
260 203LER	5/8-11 Rod for 203EA (specify length if longer than 12")
260 203S	Sling (casting)
260 203CBR	Cross bar for sling
260 203BE	Bow Eye

FEATURES

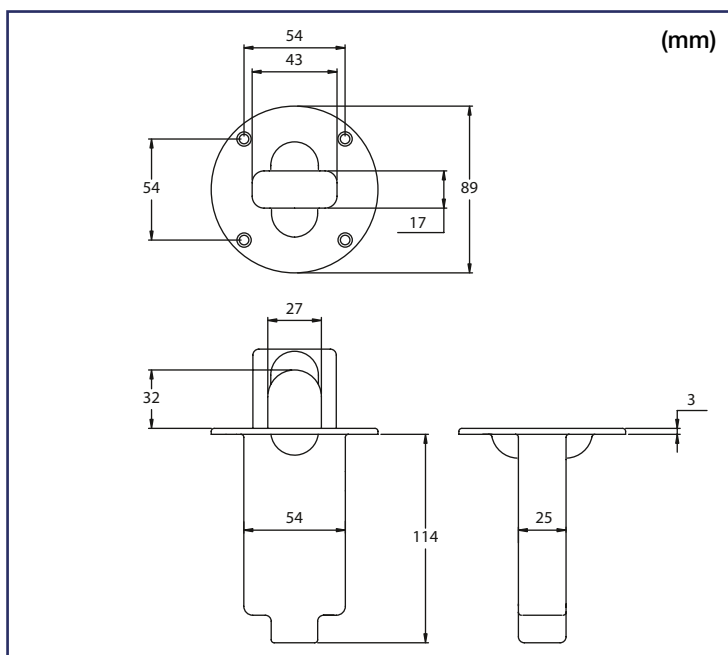
- ◆ All stainless steel parts; eye and base are 316, lifting hardware is 304.
- ◆ The sling is a solid casting for increased strength.
- ◆ Parts may be purchased separately.
- ◆ 2 3/8" diameter hole required.
- ◆ Fastens to deck with four #10 screws.
- ◆ PLEASE SPECIFY ROD LENGTH WHEN ORDERING – Standard rod length is 12". Rods over 12" are an additional cost.

INDEPENDENT LAB TEST RESULTS

The maximum working load is 4,000 pounds in the direction of the axis of the threaded rod shank only. Test results available upon request.



260 203 LE



260 203 EA

EXTRA LARGE ROUND LIFTING EYE

BEST.-NR. #	DESCRIPTION
260 203 XLEA	Complete lift eye assembly
260 203 XL	Lift Eye with base
260 203 LERXL	3/4-10 Rod for 203 XLEA (specify length if longer than 12")
260 203 SXL	Sling (casting)
260 203 CBRXL	Cross bar for sling
260 203 XLBP	Stainless Steel Backing Plate
260 203 BE	Bow eye

FEATURES

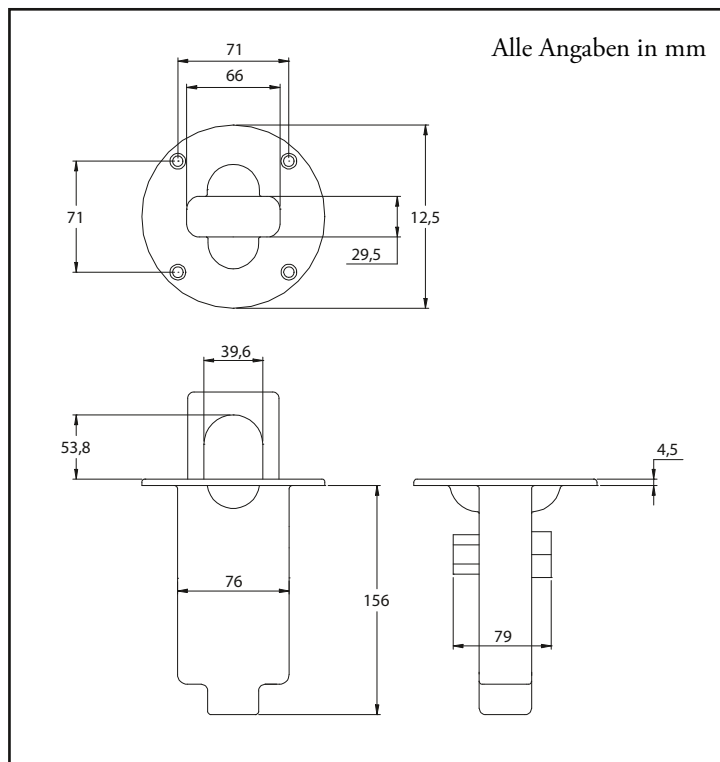
- ◆ All stainless steel parts; eye and base are 316, lifting hardware is 304.
- ◆ The sling is a solid casting for increased strength.
- ◆ Parts may be purchased separately.
- ◆ 3 1/4" Diameter hole required.
- ◆ Fastens to deck with four 1/4" screws.



260 203XL
UP

INDEPENDENT LAB TEST RESULTS

When tested with grade 8 bolts, the bolts failed at 36,000 lbs. and the lifting eye was still useable. These test results are good in the direction of the axis of the threaded rod shank only. Test results available upon request.



260 203XLEA

OVAL LIFTING EYE



260 201 LE

BEST.-NR. #	DESCRIPTION
260 201EA	Complete lift eye assembly
260 201LE	Lift Eye with base
260 201LER	Rod for 201EA (specify length if longer than 12")
260 203S	Sling (casting)
260 203CBL	Cross bar for sling
260 203BE	Bow Eye

FEATURES

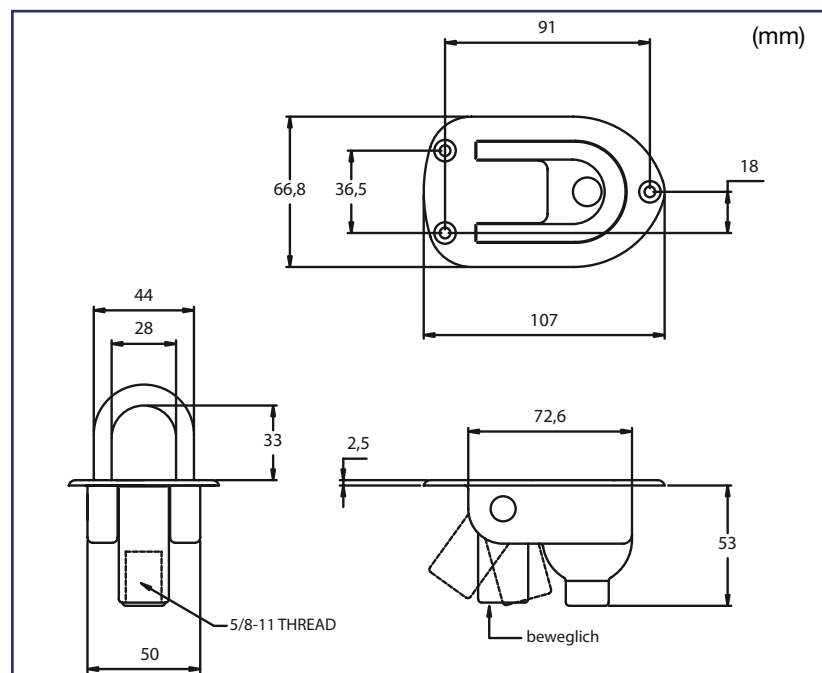
- ◆ Small compact unit.
- ◆ Unit can be drained or sealed water tight.
- ◆ Hub pivots two ways to overcome a slight misalignment at installation.
- ◆ All stainless steel parts; eye and base are 316, lifting hardware is 304.
- ◆ The sling is a solid casting for increased strength.
- ◆ Parts may be purchased separately.
- ◆ Requires less clearance under the deck than our lifting cleats.
- ◆ Fastens to deck with three #10 screws.
- ◆ PLEASE SPECIFY ROD LENGTH WHEN ORDERING – Standard rod length is 12". Rods over 12" are an additional cost.



260 201 EA

INDEPENDENT LAB TEST RESULTS

The maximum working load is 4,000 pounds in the direction of the axis of the threaded rod shank only. Test results available upon request.



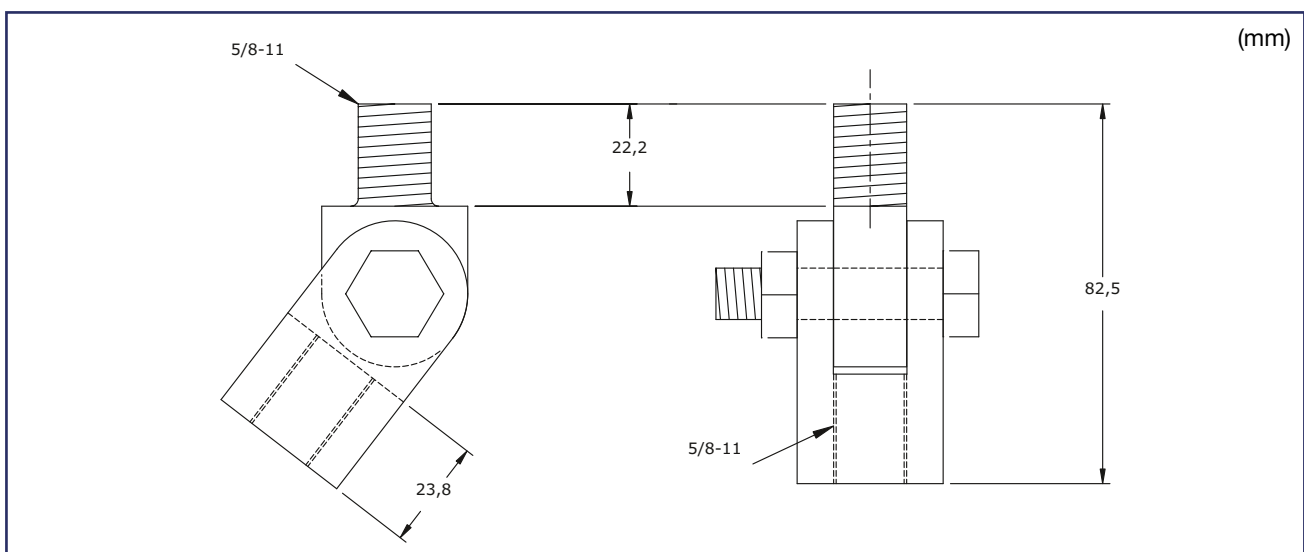
NEW PIVOT ATTACHMENT FOR LIFTING CLEATS & EYES



PIVOT ATTACHMENT – BEST.-NR. 260 209PA

FEATURES

- ◆ For use with our Lifting Cleats and Lifting Eye assemblies.
- ◆ Allows for slight misalignment on installation of lifting hardware.
- ◆ The strongest installation is a straight vertical connection. Any deviance from this will add stress to the deck.
- ◆ All parts are stainless steel.



LIFTING CLEAT



DIESES BILD ZEIGT
260 203 6CB

BEST.-NR. #	DESCRIPTION
260 203 6CA	Complete 6" lift cleat assembly
260 203 6CB	Cleat with base
260 209 6R	Rod for 203 6CA (specify length if longer than 12")
260 203 S	Sling (casting)
260 203 CBL	Cross bar for sling
260 203 BE	Bow Eye

FEATURES

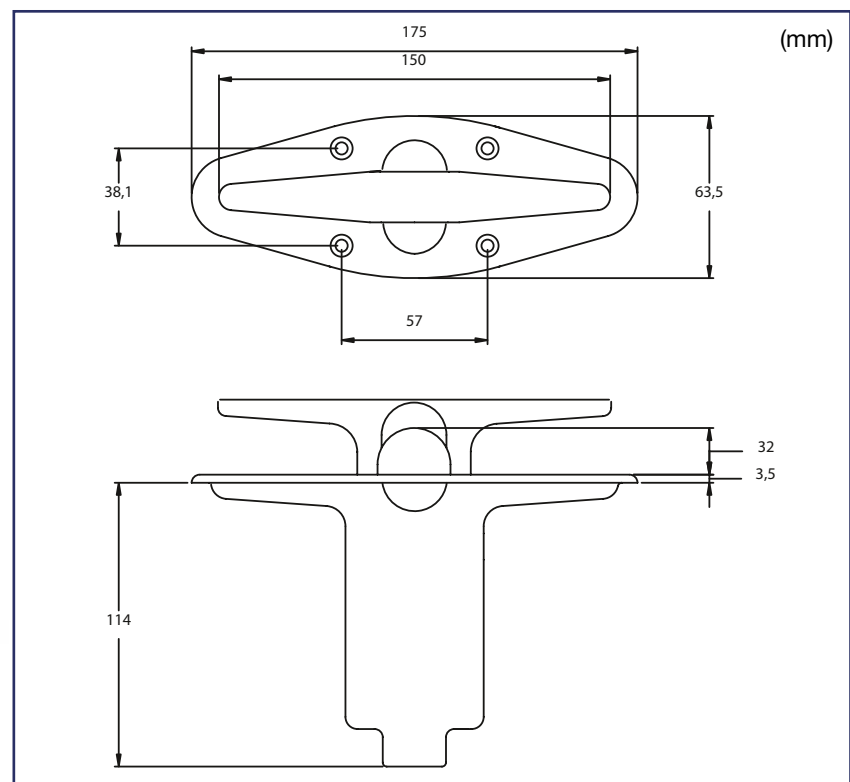
- ◆ All stainless steel parts; cleat and base are 316, lifting hardware is 304.
- ◆ The sling is a solid casting for increased strength.
- ◆ Parts may be purchased separately. A cut-out template is supplied.
- ◆ PLEASE SPECIFY ROD LENGTH WHEN ORDERING – Standard rod length is 12". Rods over 12" are an additional cost.
- ◆ Fastens to deck with four #10 screws



DIESES BILD ZEIGT
260 203 6CA

INDEPENDENT LAB TEST RESULTS

The maximum working load is 4,000 pounds in the direction of the axis of the threaded rod shank only. Test results available upon request.



POP-UP® LIGHTS



260 204 M

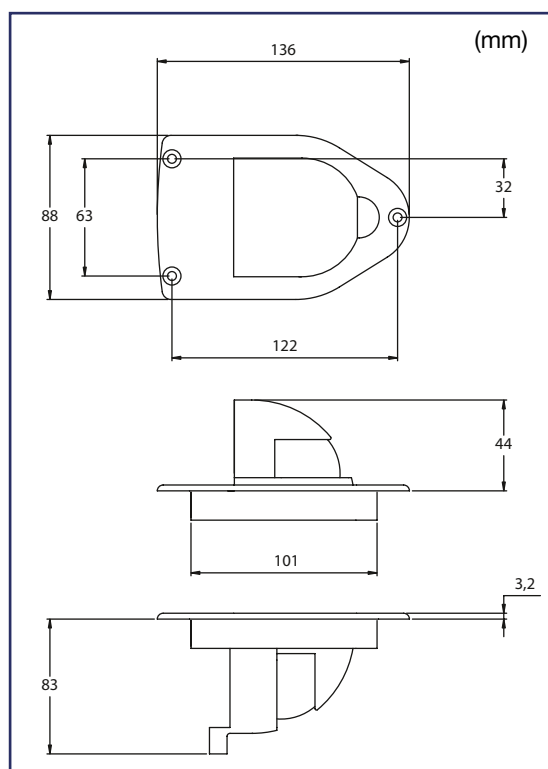
BEST.-NR. #	DESCRIPTION
260 204 M	Stainless Steel Pop-Up® Buglicht Rot/Grün
260 205 M	Stainless Steel Pop-Up® Backboard
260 260 M	Stainless Steel Pop-Up® Steuerbord
260 207 M	Set of Stainless Steel Pop-Up® Seitenmontage
260 204 MC	Wassersammler (für alle geeignet)

FEATURES

- ◆ Keeps deck free of protruding lights.
- ◆ Marine grade 316 stainless steel.
- ◆ Bow, port, starboard and side lights are available.
- ◆ Folds down flush when not in use.
- ◆ Uses a #78 bulb, 12 volts, 2.5 watts
- ◆ USCG approved 1 nautical mile.
- ◆ NMMA type accepted.
- ◆ Meets 72 Colregs.

INSTALLATION

- ◆ Each light is supplied with a cut-out template.
- ◆ Use the supplied template to make a cut-out where the light will go.
- ◆ Fasten with three #10 screws (not included).



260 260 M
AUF DECK MONTAGE



260 207 M
SEITENMONTAGE



260 204 MC
WASSERSAMMLER FÜR
SCHLAUCHANSCHLUSS

Diese Leuchten sind nicht BSH zugelassen!

LED POP-UP® BOW LIGHT



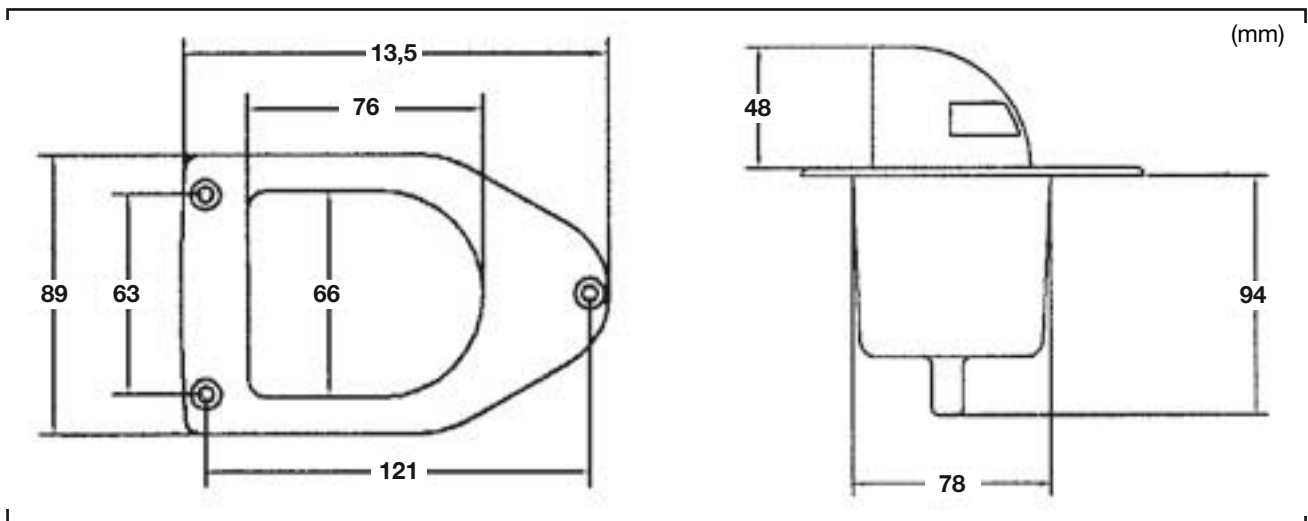
BEST.-NR. #	DESCRIPTION
260 211 M	Pop-Up® LED Buglicht Rot/Grün
260 211 MC	Wassersammler

FEATURES

- ◆ Fits in the same cut-out as our 204M light for easy upgrading.
- ◆ USCG approved 2 nautical miles.
- ◆ Keeps deck free of protruding lights, folds down flush with deck when not in use.
- ◆ Made of marine grade 316 stainless steel.
- ◆ An optional plastic cup prevents unwanted water runoff below deck.
- ◆ 115 milli-amps.

INSTALLATION

- ◆ Each light is supplied with a cut-out template.
- ◆ Use the supplied template to make a cut-out where the light will go.
- ◆ Fasten with three #10 screws (not included).



Diese Leuchten sind nicht BSH zugelassen!

LED POP-UP® BOW LIGHT



POP-UP® LED BOW LIGHT

BEST.-NR. #	DESCRIPTION
260 210 M	Pop-Up® LED Bugleuchte Rot/Grün
260 210 MC	Wassersammler
260 210 MS	Buglicht mit Stehbolzen Montage

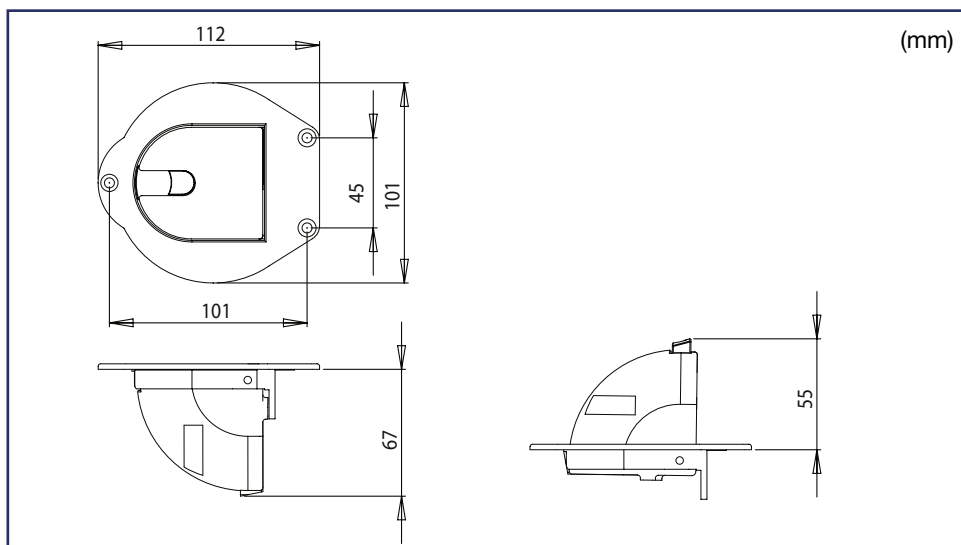


FEATURES

- ◆ USCG Approved 2 nautical miles.
- ◆ The only Pop-Up® LED light on the market.
- ◆ Keeps deck free of protruding lights, folds down flush with deck when not in use.
- ◆ Made of marine grade 316 stainless steel.
- ◆ An optional plastic cup prevents unwanted water runoff below deck.
- ◆ Available in stud-mount or though bolt versions.

INSTALLATION

- ◆ Drill a 3 1/2" diameter hole using a hole saw.
- ◆ Fasten with three #10 screws (not included).



Diese Leuchten sind nicht BSH zugelassen!

SURFACE MOUNT FOLDING CHOCKS



BEST.-NR. # DESCRIPTION

260 502 4	Set of 4.5" Folding Chocks	= Paar BB + STB klappbare Lippklampen 96 mm
260 502 6	Set of 6" Folding Chock	= Paar BB + STB klappbare Lippklampen 133 mm

FEATURES

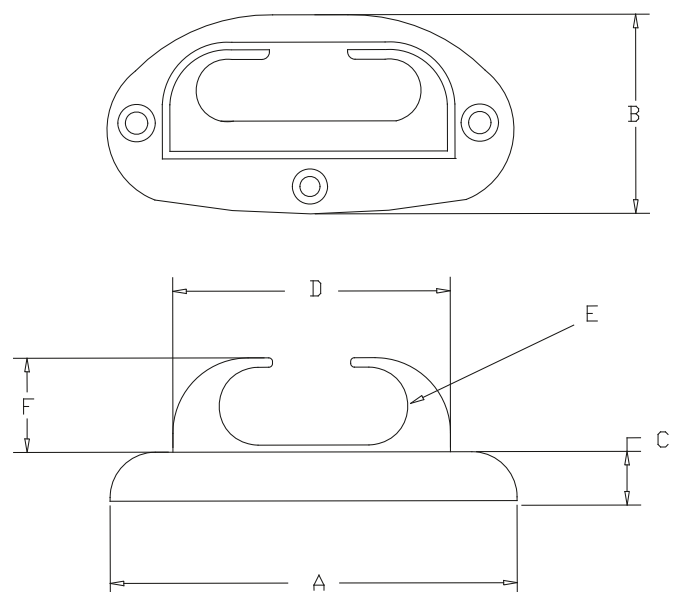
- ◆ Chock pulls up for use; press down when not needed to keep deck clutter-free.
- ◆ Marine Grade 316 Stainless Steel.
- ◆ Surface mount – No cut-out required.

INSTALLATION

- ◆ Drill three holes and secure with screws.

PRODUCT SPECIFICATIONS / Ca. Maßangaben

BEST.-NR.	260 502 4	260 502 6
Größe	4.5"	6"
"A" Länge mm	96	133
"B" Breite mm	61	81
"C" Höhe mm	13	16
"D" Breite mm	61	83
"E" Radius mm	19	25
"F" Höhe mm	25	32
Max Line Size Ø mm	15	19
SCREWS REQUIRED		
Quantity	3	3
Diameter	1/4"	5/16"



LINE CHOCK



260 555 12
UP



260 555 12
DOWN

BEST.-NR. # DESCRIPTION

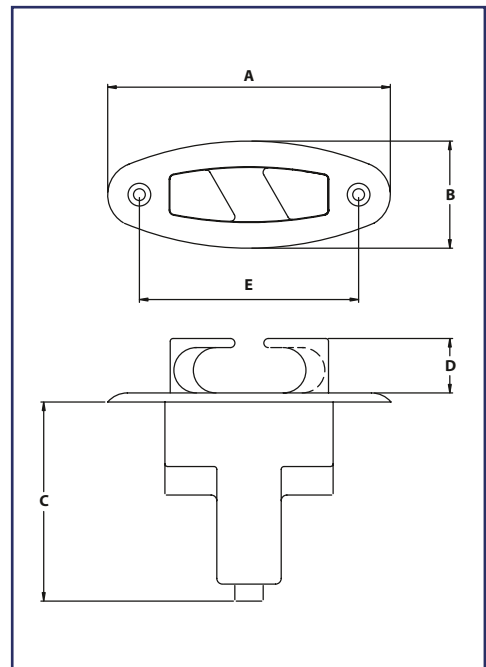
- 260 555 12** 4 1/2" Set of Port and Starboard Skene Chocks =
115 Set von Backbord und Steuerbord Lippklampen
- 260 501 12** 4 1/2" Straight Stern Chock =
115 gerader Heck Lippklampen Durchlass
- 260 556 12** 6" Set of Port and Starboard Skene Chocks =
150 Set von Backbord und Steuerbord Lippklampen
- 260 551 12** 6" Straight Stern Chock =
150 gerader Heck Lippklampen Durchlass

FEATURES

- ◆ Chock pulls up for use; press down when not needed to keep deck clutter-free.
- ◆ Marine Grade 316 Stainless Steel.
- ◆ Skene (port and starboard) and straight stern chocks are available.
- ◆ Drain fittings available upon request.

INSTALLATION

- ◆ Each chock is supplied with a cut-out template.
- ◆ Use the supplied template to make a cut-out where the chock will go.
- ◆ Fasten with two #10 screws (500 & 501) or two 1/4" screws (500 6 & 501 6)
- ◆ Screws are not included.



PRODUCT SPECIFICATIONS / Ca. Maßangaben

BEST.-NR. #	260 555 12	260 501 12	260 556 12	260 551 12
Größe	115	115	152	152
Gewicht	1.70 lbs.	0.82 lbs.	4.82 lbs.	2.30 lbs.
"A" Länge mm	117	117	155	155
"B" Breite mm	38	38	70	70
"C" Tiefe mm	77	77	114	114
"D" Höhe mm	19	19	29	29
"E" Lochabstand mm	95	95	127	127
Thread Size	1/4"	1/4"	1/4"	1/4"
Max Line Size Ø mm	16	16	19	19

QUICK RELEASE BIMINI HINGES TOP HINGES



260 600 12

QUICK RELEASE BIMINI TOP HINGE

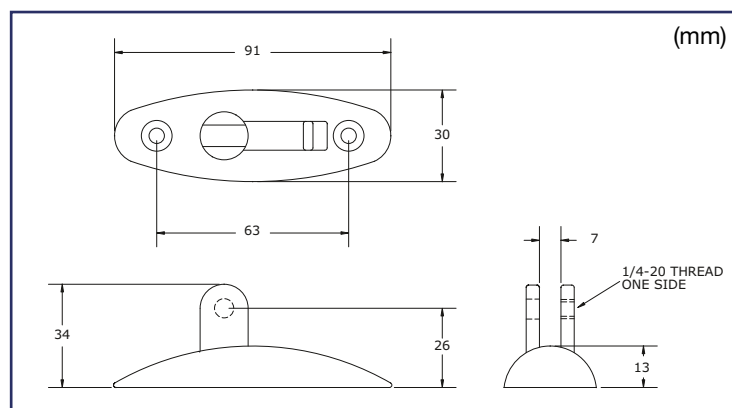
FEATURES

- ◆ Low profile Quick Release 316 stainless steel hinge.
- ◆ Surface mount, no cut-outs are necessary.
- ◆ Easily remove or install top without having to keep track of screws and pins.
- ◆ The hinge snaps into base and stays attached to bimini when separated.

INSTALLATION

- ◆ Installs with two #10 screws (not included)

BEST.-NR. 260 600 12



DID YOU FIND THE PRODUCT YOU WERE LOOKING FOR?

Have you looked in every marine hardware catalog that exists but you can't find the exact product you need?

Then call and tell us – chances are that we may be able to modify an existing product to meet your specific needs, or possibly design a new product to meet those requirements. Chances are that others in the industry may be looking for the same type of product. All of the products in this catalog were designed to meet specific needs within the marine industry – many were based on our customers' suggestions.

INTERNATIONAL ORDERING

Accon Marine products are available worldwide through our network of international distributors. Please call, write or visit our website at www.acconmarine.com for the distributor serving your country.

IN THE UNITED STATES

Accon Marine products are also available through numerous wholesale and retail distributors throughout the U.S. Please call, write or visit our website for the distributor or retailer in your area.

Accon Marine, L.L.C.

SUPERIOR QUALITY FLUSH-MOUNTED MARINE HARDWARE & ACCESSORIES

Phone 727.572.9202 | Fax 727.572.7621 | E-mail info@acconmarine.com
13665 Automobile Blvd. | Clearwater, FL 33762
www.ACCONMARINE.com